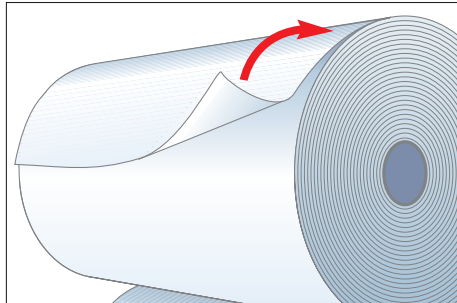
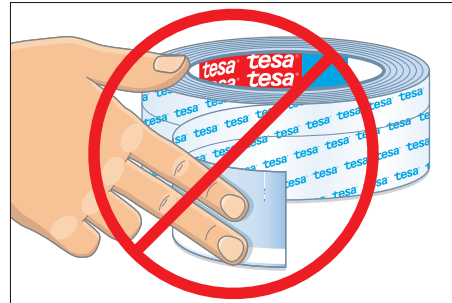


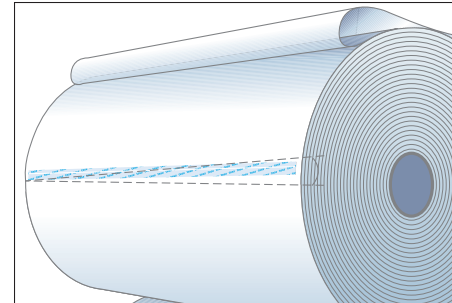
tesa® EasySplice Newsprint Application Guide (with belt drive technology)



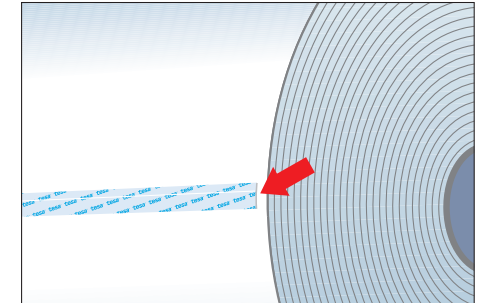
1. Fold back top sheet.



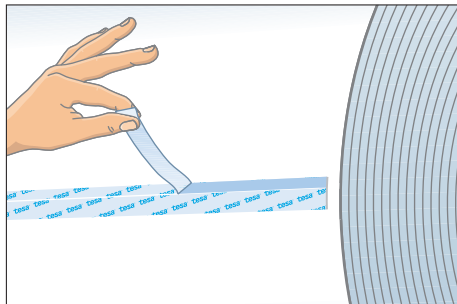
2. Do not touch the exposed adhesive area on the reverse of the tape.



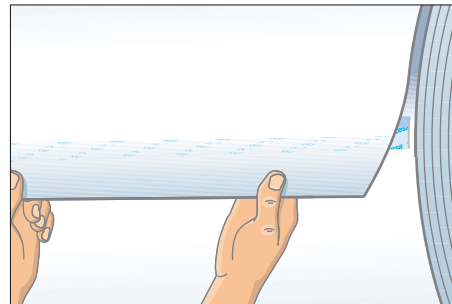
3. Apply the tape straight or at a slight angle from left to right (narrow portion of liner on top).



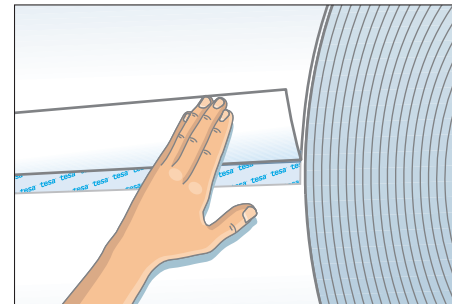
4. Leave a space of approximately 10 mm on either side of the roll.



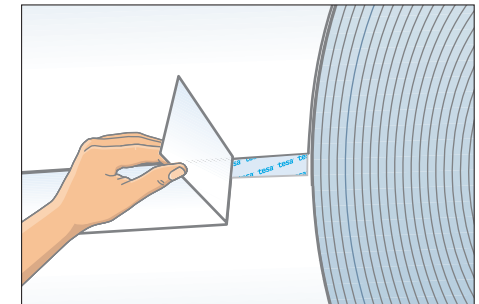
5. Remove the narrow portion of the liner, pulling upwards.



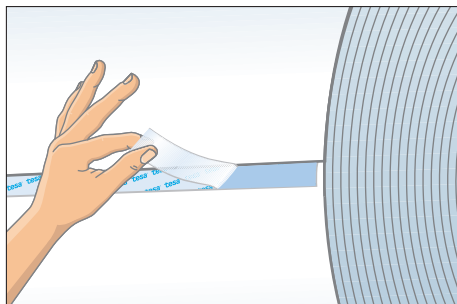
6. Pull the leading edge of paper tightly over the exposed adhesive.



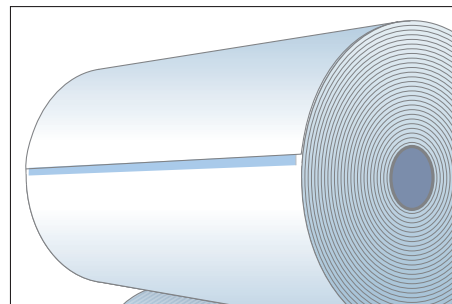
7. Fold back the overlapping paper.



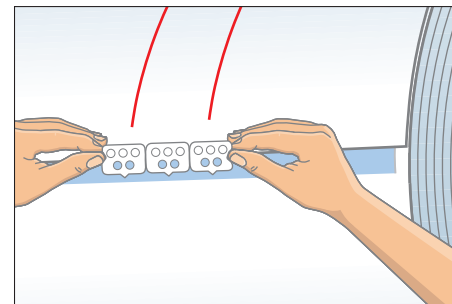
8. And tear away the overlapping paper.



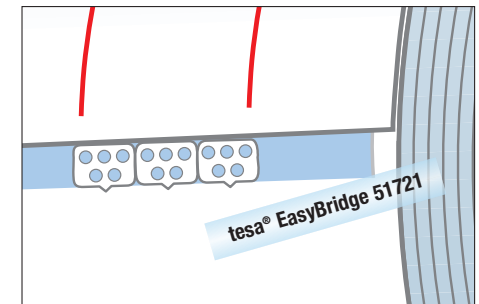
9. Remove the broad liner.



10. Roll is ready prepared.



11. For belt driven machines: Apply tesa® EasyBridge to belt area with tip of nose on edge of tape. (Test the best alternative for you between tesa® EasyBridge 51721 with dots, tesa® EasyBridge 51722 with slots, tesa® EasyBridge 51720 – solid.)



12. EasyBridge's 3 mm noses give perfect positioning and adhesive exposure.